



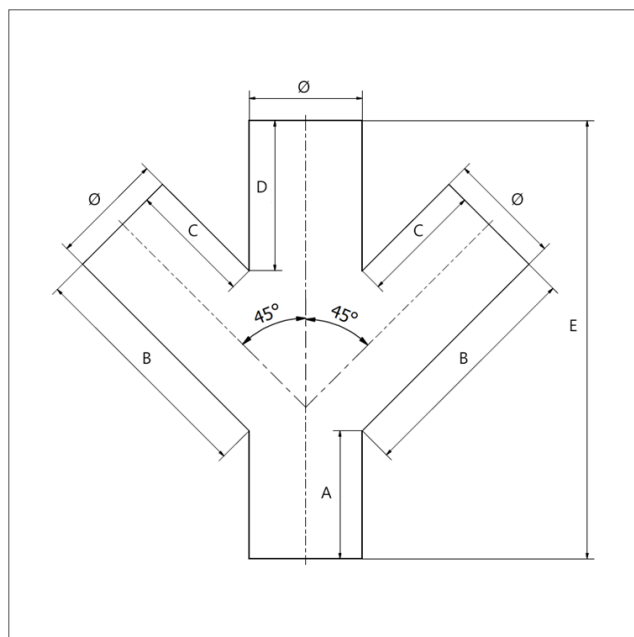
STBD - Double branch pipe galvanized

Duct system galvanized

STBD double branch pipe 45°, galvanized with straight edges for mounting with PICO pipe coupling. T = 1.5 mm



STBD - double branch pipe, galvanised.



STBD - double branch pipe drawing. Measurement - see table.

Art.no	Ø (mm)	A (mm)	B (mm)	C (mm)	D (mm)	E (mm)	Weight (kg)
STBD-050-050	50	110	175	120	110	300	*
STBD-063-063	63	105	138.5	75	75	270	*
STBD-076-076	76	110	161.1	85	75	292.5	*
STBD-102-102	102	115	211.6	110	135	393.7	*