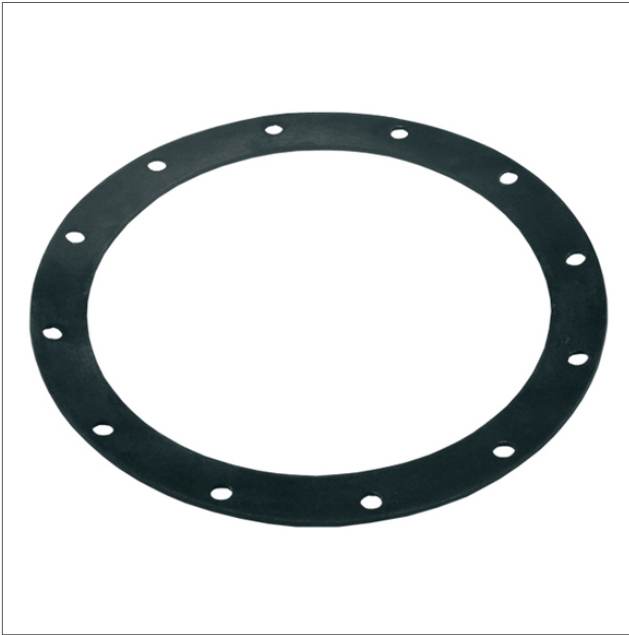




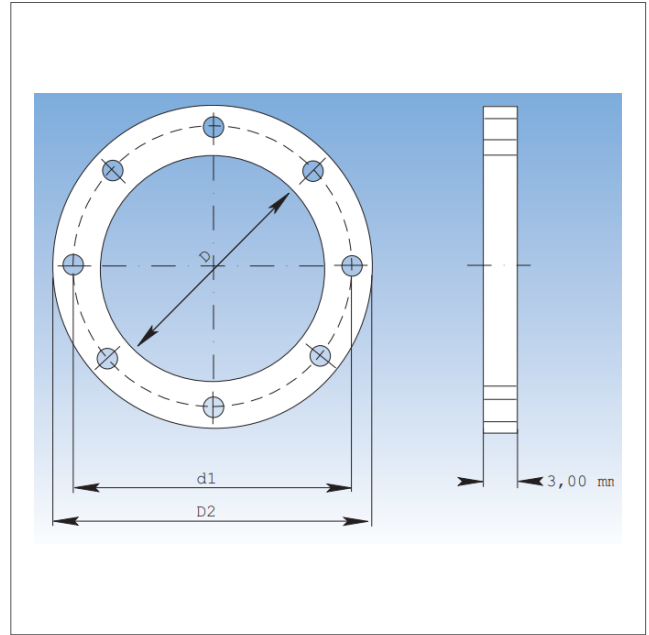
RUFL - Flange gasket

Stainless duct system AISI 304

Flange gasket in nitrile rubber, 3 mm. Hardness: 65 shore. Temperature range: -10°C to +70°C. Resistant to oil and petrol and to a limited extent acid and base chemicals. Hole size Ø80-315 = 8 mm, Ø350 and bigger = 10 mm



RUFL - Flange gasket nitrile



Flanges - drawing, se measurement in the table

| Art.no | Ø (mm) | D (mm) | d 1 (mm) | D 2 (mm) | Number of holes | B (mm) | Weight (kg) |
|----------|--------|--------|----------|----------|-----------------|--------|-------------|
| RUFL-080 | 80 | 85 | 115 | 133 | 8 | 25 | 0.02 |
| RUFL-100 | 100 | 105 | 135 | 153 | 8 | 25 | 0.03 |
| RUFL-120 | 120 | 125 | 155 | 173 | 8 | 25 | 0.04 |
| RUFL-125 | 125 | 130 | 160 | 178 | 8 | 25 | 0.05 |
| RUFL-140 | 140 | 143 | 175 | 193 | 8 | 25 | 0.05 |
| RUFL-150 | 150 | 155 | 185 | 205 | 8 | 25 | 0.06 |
| RUFL-160 | 160 | 165 | 195 | 215 | 8 | 25 | 0.06 |
| RUFL-180 | 180 | 185 | 215 | 235 | 8 | 25 | 0.07 |
| RUFL-200 | 200 | 205 | 235 | 255 | 12 | 25 | 0.08 |
| RUFL-225 | 225 | 230 | 260 | 280 | 12 | 25 | 0.09 |
| RUFL-250 | 250 | 255 | 285 | 305 | 12 | 25 | 0.1 |
| RUFL-300 | 300 | 305 | 336 | 355 | 12 | 25 | 0.11 |
| RUFL-315 | 315 | 320 | 351 | 370 | 12 | 25 | 0.13 |
| RUFL-350 | 350 | 355 | 389 | 415 | 12 | 30 | 0.15 |
| RUFL-400 | 400 | 405 | 439 | 465 | 16 | 30 | 0.18 |
| RUFL-450 | 450 | 455 | 489 | 515 | 16 | 30 | 0.21 |

| Art.no | Ø (mm) | D (mm) | d 1 (mm) | D 2 (mm) | Number of holes | B (mm) | Weight (kg) |
|---------------|---------------|---------------|-----------------|-----------------|------------------------|---------------|--------------------|
| RUFL-500 | 500 | 505 | 540 | 565 | 16 | 30 | 0.22 |
| RUFL-550 | 550 | 555 | 590 | 615 | 16 | 30 | 0.25 |
| RUFL-600 | 600 | 605 | 640 | 665 | 16 | 30 | 0.29 |
| RUFL-630 | 630 | 635 | 670 | 695 | 24 | 30 | 0.33 |
| RUFL-650 | 650 | 655 | 690 | 715 | 24 | 30 | 0.35 |
| RUFL-700 | 700 | 705 | 750 | 785 | 24 | 40 | 0.38 |
| RUFL-750 | 750 | 755 | 800 | 835 | 24 | 40 | 0.41 |
| RUFL-800 | 800 | 805 | 850 | 885 | 24 | 40 | 0.49 |
| RUFL-850 | 850 | 855 | 900 | 935 | 24 | 40 | 0.52 |
| RUFL-900 | 900 | 905 | 950 | 985 | 24 | 40 | 0.54 |
| RUFL-950 | 950 | 955 | 1000 | 1035 | 24 | 40 | 0.55 |
| RUFL-1000 | 1000 | 1005 | 1050 | 1085 | 24 | 40 | 0.56 |