



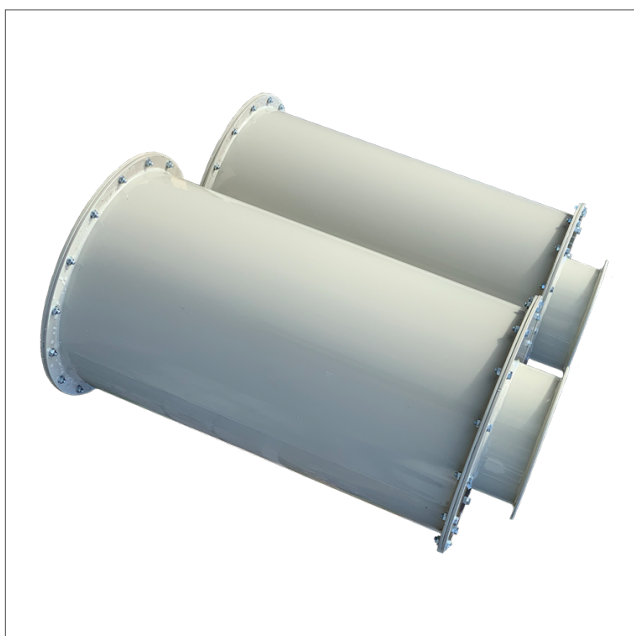
Special duct systems

Special duct systems

Click the images to the left for different product solutions.

We supply pipe systems in many designs in addition to what is found in our standard product range. It could be other dimensions, materials, wall thickness, durability for higher temperatures or for handling special materials.

Contact us, and we can tell you more about our special products:
019-320087 - order@lajac.se



Pipe silencer 2 mm black plate with flange



Bends with larger radius: Picture shows 2 mm black plate \varnothing 1600 mm with flange