



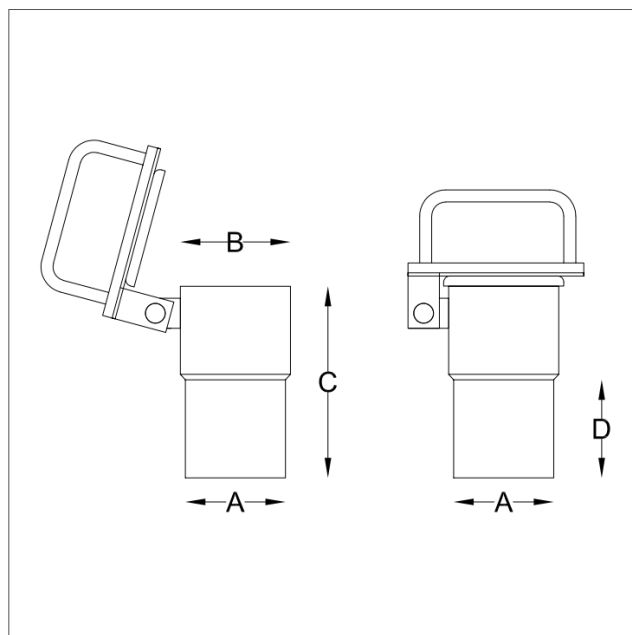
## KLVP - Flap valve

Duct system galvanized

The KLVP valve is electro-zinc and equipped with a self-closing spring-mounted lid. The valve is to be mounted on the pipe with PICO coupling and is fitted for flexible hoses, connected by a hose connector HOCO.



KLVP - Flap valve



KLVA/KLSM - drawing, se measurement in the table

Art.no	Ø A,B outside	A (mm)	B (mm)	C (mm)	D (mm)	Weight (kg)
KLVP-050-050	050-050	49.7	48.8	95.4	48	*
KLVP-063-050	063-050	63.6	48.8	94.9	48	*
KLVP-063-063	063-063	63.5	67	95	49.8	*
KLVP-076-076	076-076	76.20	75.9	130	74	*