



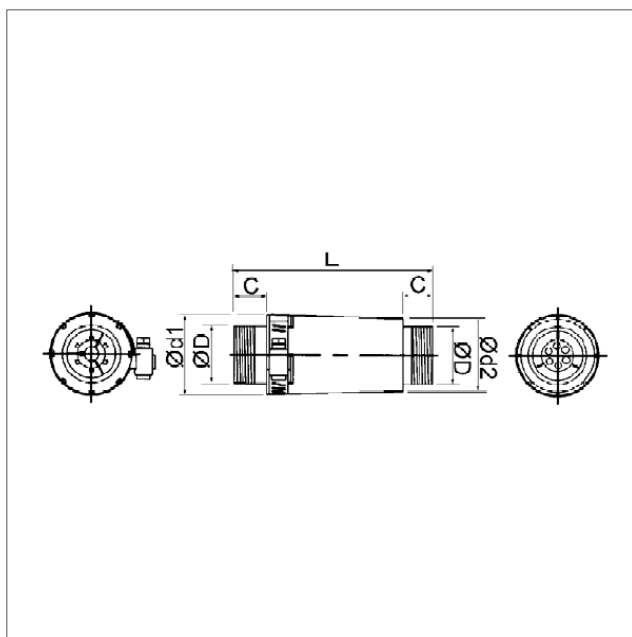
SEVA - Safety vent

Accessories/spare parts

Safety valve SEVA, for installation in vacuum systems. Pressure area SEVA-200-270 = 0-300 mbar, SEVA-310-410 = 300-600 mbar



SEVA - Safety vent



SEVA - dimension sketch, see table

Art.no	Ø (mm)	L (mm)	C (mm)	d 1 (mm)	D 2 (mm)	Weight (kg)
SEVA-200	G1¼"	143	21,5	58	53	0.25
SEVA-270	G1¼"	143	21,5	58	53	0.25
SEVA-310	G1¼"	143	21,5	58	53	0.25
SEVA-410	G1¼"	143	21,5	58	53	0.25