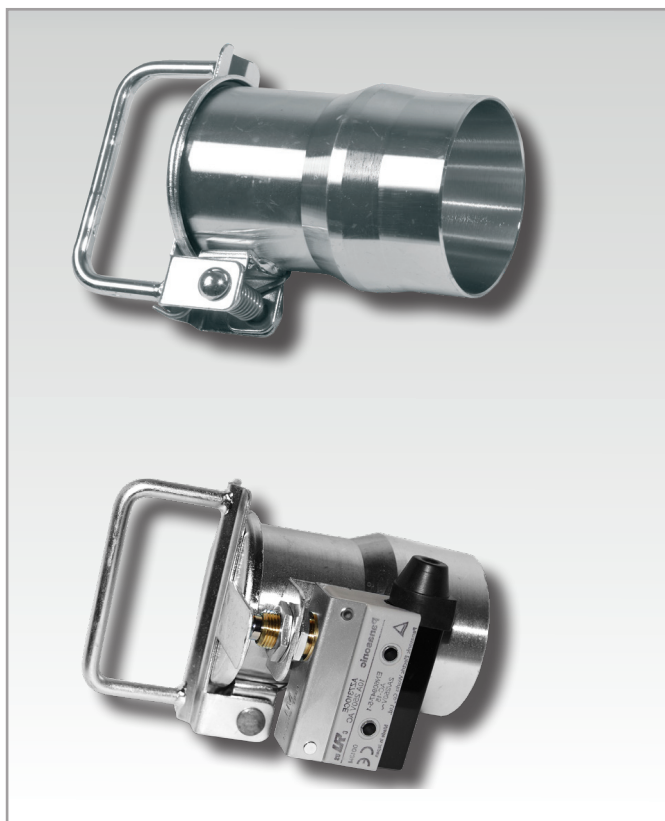




KLVA/KLVM



The KLVA valve is electro-zincd and equipped with a self-closing spring-mounted lid. The valve is to be mounted on the pipe and is fitted for flexible hoses, connected by a hose connector HOCO.

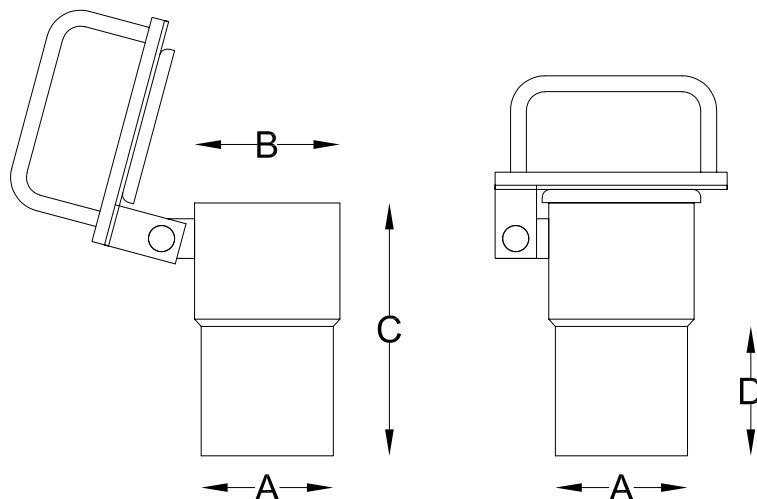
The KLVM is Identical to the KLVA model with an electrical contact, SPLV, which starts up the aspiration system, by the opening of the cap.

KLVS and KLSM are the stainless steel AISI 304 options for the valves above.

Technical data microswitch KLVM/KLSM

Thermal current	10 Ampere
Voltage	250 V
Housing	IP64
Temperature range	-25°C+85°C

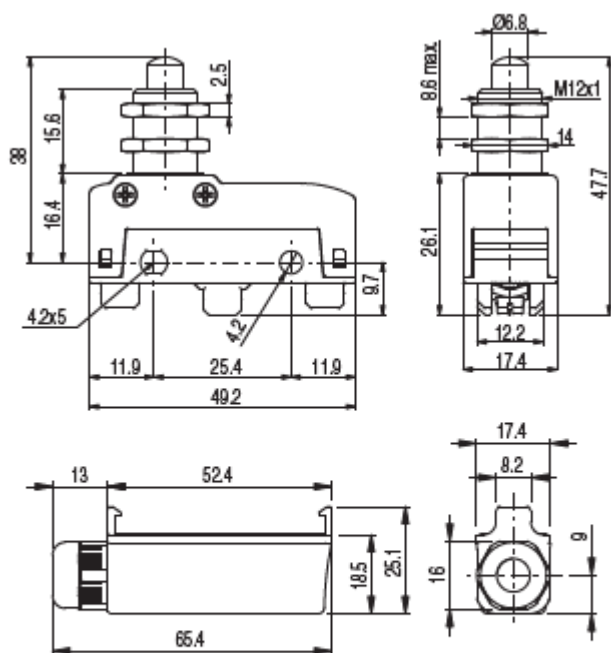
	A	B	C	D	Weight kg KLVA/KLVM
038-038 (KLVA)	34,8	38,2	64,8	20,8	0,3
050-050	47	47,9	65,8	21	0,34/0,39
063-050	59,5	47,9	84,5	34,7	0,54/0,59
063-063	58,9	67,6	82	30,5	0,66/0,72
076-063	71,9	67,5	86,1	26,4	0,68/0,73
076-076	71,9	75,8	85,5	33,6	0,87/0,92





MICRO SWITCH FOR LEAF VALVE

SPLV-01



Article

**MK V11D10 +
VF MKCV12**

Contacts

1NO+1NC



- snap action, change-over
- positive opening



Technical data

Housing

Housing made of glass fibre reinforced technopolymer, self-extinguishing and shock-proof.

Protection degree acc. to EN 60529: IP40 (with terminal covers VF MKCV12)
Protective terminal cover VF MKCV12: for multipolar cables Ø4...7.5mm

Screws driving torques

Nuts	2 ... 3 Nm
Head screws	0,3 ... 0,4 Nm
M4 screws	0,8 ... 1,2 Nm
Terminal screws	0,6 ... 0,8 Nm

General data

Ambient temperature:	-25°C ... +85°C
Max. actuation frequency:	3600 operating cycles/hour
Mechanical endurance:	10 million operating cycles
Safety parameter B ₁₀₀ :	20,000,000 for NC contacts

Compliance with the requirements of:

Low Voltage Directive 2014/35/EU,
EMC Directive 2014/30/EU,
RoHS Directive 2011/65/EU.
Positive contact opening in conformity with standards:
IEC 60947-5-1, EN 60947-5-1.

Cable cross section (flexible copper strands)

MK series:	min.	1 x 0.34 mm ²	(1 x AWG 22)
	max.	2 x 1.5 mm ²	(2 x AWG 16)

Quality marks:



IMQ approval:	CA02.05772
UL approval:	E131787
CCC approval:	2013010305604291
EAC approval:	RU C-IT.A.135.B.00454

In compliance with standards:

IEC 60947-5-1, EN 60947-5-1, IEC 60529, EN 60529, EN 60947-1, IEC 60947-1.

Approvals:

UL 508, CSA 22.2 No.14, EN 60947-1, EN 60947-5-1.

Electrical data

Thermal current (I _n):	16 A
Rated insulation voltage (U _i):	250 Vac 300 Vdc
Rated impulse withstand voltage (U _{imp}):	4 kV
Conditional short circuit current:	1000 A acc. to EN 60947-5-1
Protection against short circuits:	type gG fuse 16 A 250 V
Pollution degree:	3
Dielectric strength	2000 Vac/min.

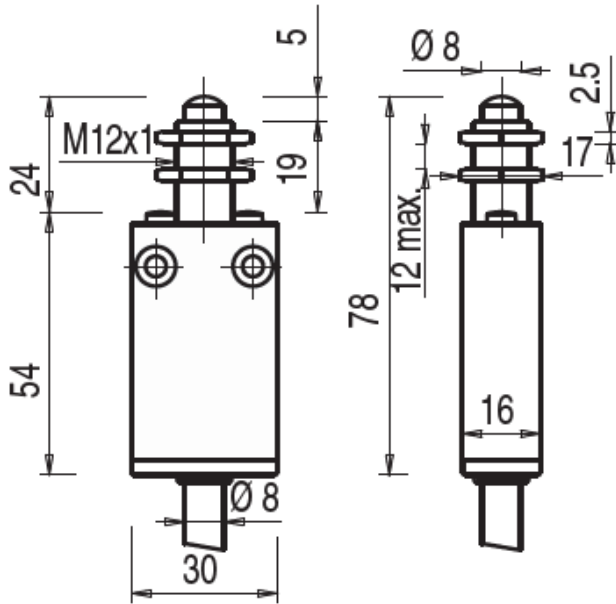
Utilization category

Alternating current: AC15 (50 ... 60 Hz)			
U _e (V)	120	250	
I _e (A)	4	5	
Direct current: DC13			
U _e (V)	24	125	250
I _e (A)	5	0.6	0.3



MICRO SWITCH ATEX FOR LEAF VALVE

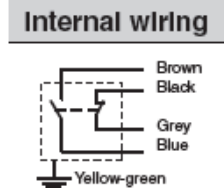
SPLV-01-EX



Article
FA 4510-2SH-EX5

Contacts
1NO+1NC ⊕
0 1.8 4 5
1

- positive opening
- snap action
- double interruption



Technical data

Housing

Metal housing, powder-coated with cable in halogen-free polyurethane, 2 m
Protection degree: IP67 acc. to EN 60529

General data

Ambient temperature: -20°C ... +60°C
Max. actuation frequency: 3600 operating cycles/hour
Mechanical endurance: 10 million operating cycles
Mounting position: any
Safety parameters B_{10D} (NC contacts): 20,000,000
Mechanical interlock, not coded: type 1 acc. to EN ISO 14119

Installation for safety applications:

Use only switches marked with the symbol ⊕ next to the product code. Always connect the safety circuit to the **NC contacts** (normally closed contacts: see "Internal wiring") as required by **EN ISO 14119, paragraph 5.4** for specific interlock applications and **EN ISO 13849-2 tables D3** (well-tried components) and **D.8** (failure exclusions) for safety applications in general. Actuate the switch **at least up to the positive opening travel** shown in the travel diagrams on page 217. Actuate the switch **at least with the positive opening force**, reported in brackets below each article, next to the actuating force value.

Compliance with the requirements of:

ATEX Directive 2014/34/EU,
EMC Directive 2014/30/EU
Positive contact opening in conformity with standards:
IEC 60947-5-1, EN 60947-5-1.

In compliance with standards:

IEC 60947-5-1, EN 60947-5-1, EN 60947-1,
IEC 60204-1, EN 60204-1, EN ISO 14119,
EN ISO 12100, IEC 60529, EN 60529,
UL 508, CSA 22.2 No.14, IEC 60079-0,
EN 60079-0, IEC 60079-31, EN 60079-31,
IEC 60079-15, EN 60079-15.

ATEX markings:

Product code extension	Quality mark	Certificate type and notified body
-EX5	CE	EU declaration of conformity Pizzato Elettrica S.r.l.

Category	Zone	EPL	Approvals
3D	22	De	II 3D Ex tc IIC T80°C De
3G	2	Ge	II 3G Ex nC IIC T6 Gc

Product code extension
-EX5

Electrical data

Thermal current (I_n): 10 A
Rated insulation voltage (U_i): 400 Vac/dc
Conditional short circuit current: 1000 A acc. to EN 60947-5-1
Protection against short circuits: type aM fuse 10 A 500 V
Pollution degree: 3

Utilization category

Alternating current: AC15 (50+60 Hz)
Ue (V) 120 250 400
Ie (A) 6 4 3
Direct current: DC13
Ue (V) 24 125 250
Ie (A) 2.5 0.55 0.27