



## CYCLONE FILTER

## TYPE CJF/CJF-V/CJF-HV



Compact compressed-air cleaned filter unit with timer control for filtration of welding fume, grinding dust, cutting fume and dusty air containing metal, rock, plastic etc. or from handling various powder mixes.

**CJF:** Air volume: Up to 4,400m<sup>3</sup>/h  
Vacuum: Up to 5,000Pa  
Filter area: 13 - 84m<sup>2</sup>

**CJF-V:** Air volume: Up to 4,400m<sup>3</sup>/h  
Vacuum: Up to 40,000Pa  
Filter area: 13 - 84m<sup>2</sup>

**CJF-HV:** Air volume: Up to 4,400m<sup>3</sup>/h  
Vacuum: Up to 80,000Pa  
Filter area: 13 - 84m<sup>2</sup>

### Description

- Polluted air enters unit through tangential inlet in raw air chamber top. Hereby downflow and preseparation by cyclone effect are ensured, which contributes to load reduction on the filter media itself.
- Air is filtered through vertical-placed filter cartridge with internal filter core, which optimizes cleaning effect.
- Timer-controlled filter cleaning by integrated compressed-air system with pressure tank and jet valve.
- Clean air is led out through connection above in unit side.
- Dust is collected in dust container in unit bottom. Quick-lock-adjustable dust container system suspended in ø400mm system flange.

### Efficient cleaning for the price

Complete and simple unit with timer control. Inlet with downflow, preseparation by cyclone effect as well as optimized filter cleaning ensure lower differential pressure above the filter cartridge. Hereby longer operating times with fewer shutdowns are obtained.

### Simple mounting, connection and operation

Filter unit is delivered fully assembled, is raised and connected. Drawn cable with plug and compressed-air supply hose make installation and connection easy. Filters are easily replaced from unit top. Quicklock-adjustable dust container on 4 turnable wheels ensures user-friendly dust container service.



### Connection and operation

Differential pressure above filter is read in integrated manometer. Supply connections are drawn out of unit.



### Dust container

Cone bottom is finished with ø400mm system flange. Standard 72L dust container (excl. sack holder) with 4 turnable wheels.



### Easy filter replacement with limited dust generation

Cartridge replacement is performed by bayonet suspension, which is loosened from clean air chamber and inserted into sack.



### Reinforced construction for high vacuum

CJF-V can be used at pressure up to 40,000Pa. CJF-HV can be used at pressure up to 80,000Pa.



## CYCLONE FILTER

## TYPE CJF/CJF-V/CJF-HV

- Filters:**
- Filter cartridge  $\varnothing 325\text{mm}$ . Length: 660/1320mm
- Filter control:**
- Type Tec 33-timer control without automatic after-cleaning. 230V AC (constant) Should be connected with delayed disconnection in relation to fan stop to obtain after-cleaning
  - Compressed-air: 5.5 - 6.0 bar dry compressed-air. Unit equipped with  $\varnothing 8\text{mm}$  pneumatic hose
  - Differential pressure displayed in integrated manometer
  - 1"-jet valve connected to central compressed-air tank in clean air chamber

**Filter change:** Standard from clean air chamber top

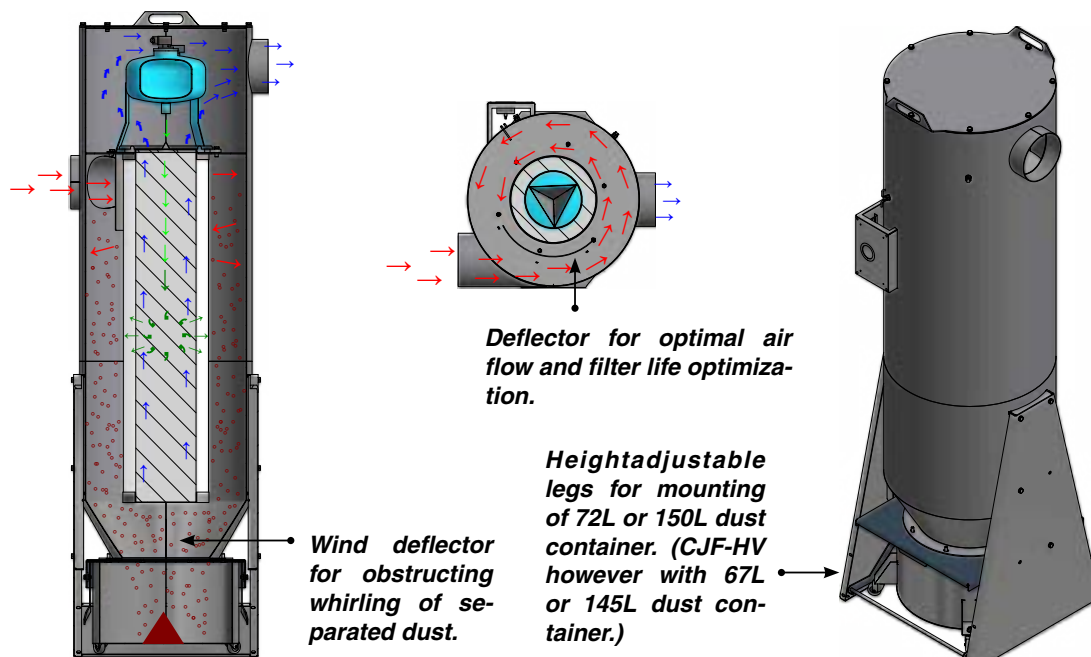
**Filter material:**

Standard	Material	Used for
G102	Polyester flake	Dry not-static loaded or hygroscopic dust particles > 0.2 $\mu\text{m}$
<b>Alternative</b>		
G105	Cellulose/Polyester	Welding/soldering
G107	Cellulose/Polyester Nano	Smoke and soot particles
G113	Polyester flake with PFPT-coating, antistatic	Static-loaded or hygroscopic particles
G115A	Polyester flake with teflon membrane	Finer dust sorts, e.g. cutting fume from plasma, flame and laser cutting
G116A	Polyester flake with teflon membrane, antistatic	Finer static-loaded dust sorts



The filters meet demands for extraction degree for dust class M according to DIN EN 60335-2-69 Appendix AA (extraction degree > 99.9%).

**Principle sketch for flow through cyclone filter type CJF/CJF-V/CJF-HV:**





## CYCLONE FILTER

## TYPE CJF/CJF-V/CJF-HV



Photo: Cyclone filter type CJF-HV 26

### Construction/surface:

Cyclone filter type CJF/CJF-V/CJF-HV is constructed according to:

- Machine directive 2006/42/EU
- EMC-directive 2014/30/EU
- Directive 2014/68/EU about pressure equipment
- Low voltage directive 2014/35/EU
- Harmonized standards: EN 349, EN 4414, EN 12100, EN 60204-1, EN ISO 13857
- Further standards: ISO 3746

Filter cabinet is made in 2mm black steel plate  
Surface powder enamelled RAL 5007/7011 structure



Photo:  
Cyclone filter type CJF 26 with optional  
filter control type BA

### Further is available:

- Version in hot-galvanized, enamelled steel plates for outdoor mounting
- Mirrored connections on inlet/outlet
- Outlet in top lid
- Filter replacement from unit side
- Filter control type BA, differential pressure control with automatic after-cleaning
- Backdraft damper type KTR for piping placement
- Sack holder for 72L/67L dust container
- 150L/145L dust container with sack holder\*
- Underframe and connections for bulk bag and drop pipe for customer specific containers (see sketch next page)
- ½"-water separator with manometer and pressure reducing valve
- Temperature sensor type RT101 as well as alarm devices
- Leak detector type DTC/TC 30
- Precoat unit type PCA
- Precoat 11.5kg in sack
- Explosion-protected/-relieved version for installation in ATEX-zones (see ATEX data sheet)

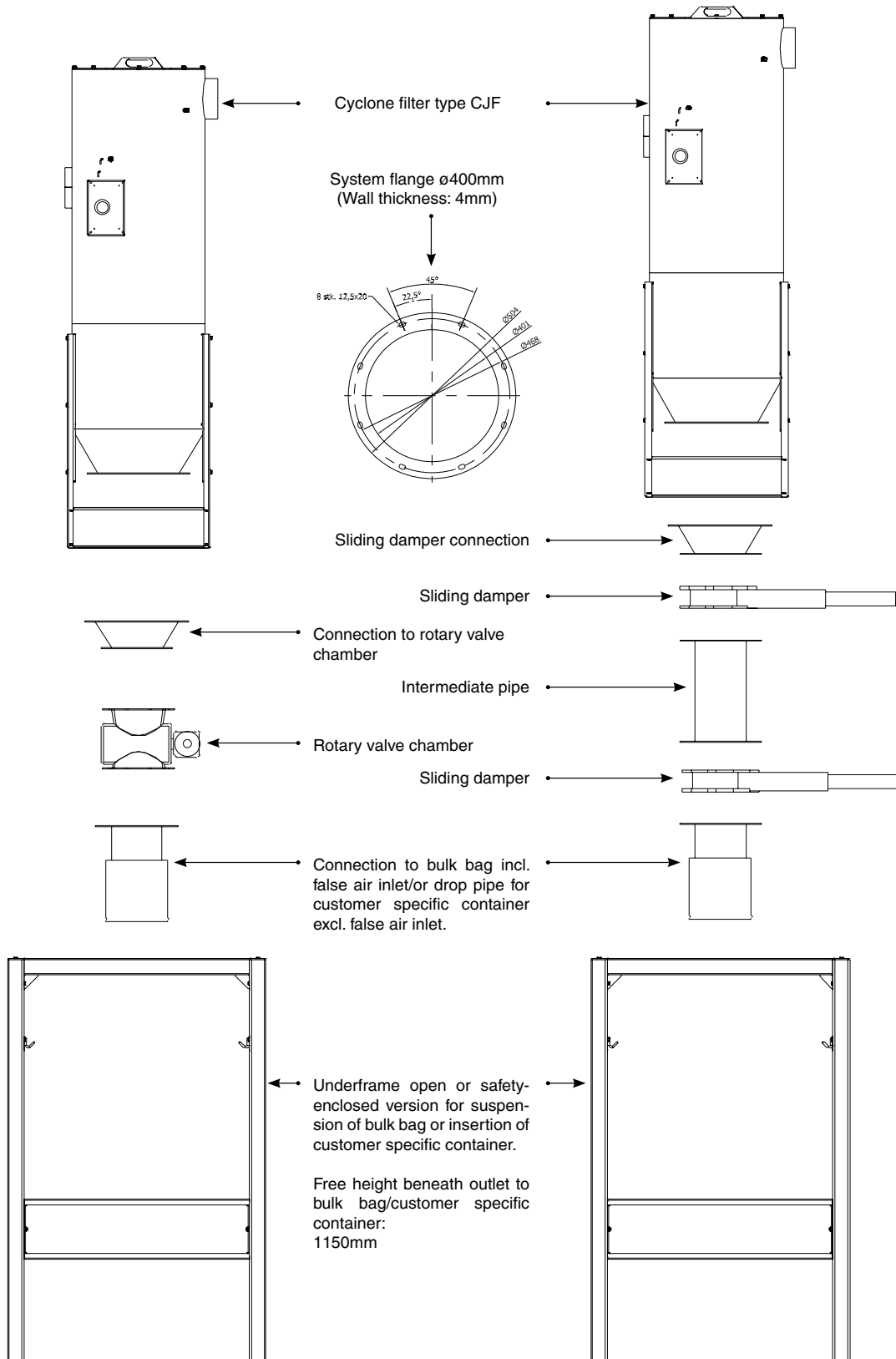
\* Note: Unit height is increased by 330mm



## CYCLONE FILTER

## TYPE CJF/CJF-V/CJF-HV

Principle sketch for equipment for cyclone filter type CJF:





## CYCLONE FILTER

## TYPE CJF/CJF-V/CJF-HV

Cyclone filter type CJF/CJF-V/CJF-HV is available in the sizes as stated in the forms below. CJF-V and CJF-HV are for high-vacuum application.

Please, contact us for assistance in selecting the optimal unit taking into consideration air volume, dust type and volume, operation times etc.

### Cyclone filter type CJF (max. 5,000Pa):

Type	Order no.	$\Delta P$ start/end <sup>3)</sup> [Pa]	Number filter cartridge	Number jet valve	G102 filter area [m <sup>2</sup> ]	G105 filter area [m <sup>2</sup> ]	Compressed-air [L/min.]	Number dust container (stand.) [L]	Number dust container (option <sup>4)</sup> ) [L]	Weight [kg]
CJF 13	04 505 000	200/2000	1 <sup>1)</sup>	1	13	21	3.0	1x72	1x150	120
CJF 26	04 506 000	200/2000	1 <sup>2)</sup>	1	26	42	3.0	1x72	1x150	150
CJF 52	04 507 000	200/2000	2 <sup>2)</sup>	2	52	84	3.0	1x72	1x150	190

### Cyclone filter type CJF-V (max. 40,000Pa):

Type	Order no.	$\Delta P$ start/end <sup>3)</sup> [Pa]	Number filter cartridge	Number jet valve	G102 filter area [m <sup>2</sup> ]	G105 filter area [m <sup>2</sup> ]	Compressed-air [L/min.]	Number dust container (stand.) [L]	Number dust container (option <sup>4)</sup> ) [L]	Weight [kg]
CJF-V 13	04 505 600	200/2000	1 <sup>1)</sup>	1	13	21	3.0	1x67	1x145	120
CJF-V 26	04 506 600	200/2000	1 <sup>2)</sup>	1	26	42	3.0	1x67	1x145	150
CJF-V 52	04 507 600	200/2000	2 <sup>2)</sup>	2	52	84	3.0	1x67	1x145	190

### Cyclone filter type CJF-HV (max. 80,000Pa):

Type	Order no.	$\Delta P$ start/end <sup>3)</sup> [Pa]	Number filter cartridge	Number jet valve	G102 filter area [m <sup>2</sup> ]	G105 filter area [m <sup>2</sup> ]	Compressed-air [L/min.]	Number dust container (stand.) [L]	Number dust container (option <sup>4)</sup> ) [L]	Weight [kg]
CJF-HV 13	04 505 700	200/2000	1 <sup>1)</sup>	1	13	21	3,0	1x67	1x145	135
CJF-HV 26	04 506 700	200/2000	1 <sup>2)</sup>	1	26	42	3,0	1x67	1x145	165
CJF-HV 52	04 507 700	200/2000	2 <sup>2)</sup>	2	52	84	3,0	1x67	1x145	210

<sup>1)</sup> Filter cartridge  $\varnothing 325 \times 660\text{mm}/\varnothing 13.5\text{mm}$ , 13m<sup>2</sup>, G102 (08 128 100)

<sup>2)</sup> Filter cartridge  $\varnothing 325 \times 1320\text{mm}/\varnothing 13.5\text{mm}$ , 26m<sup>2</sup>, G102 (08 129 000)

<sup>3)</sup> Pressure drop stated over filter cartridge

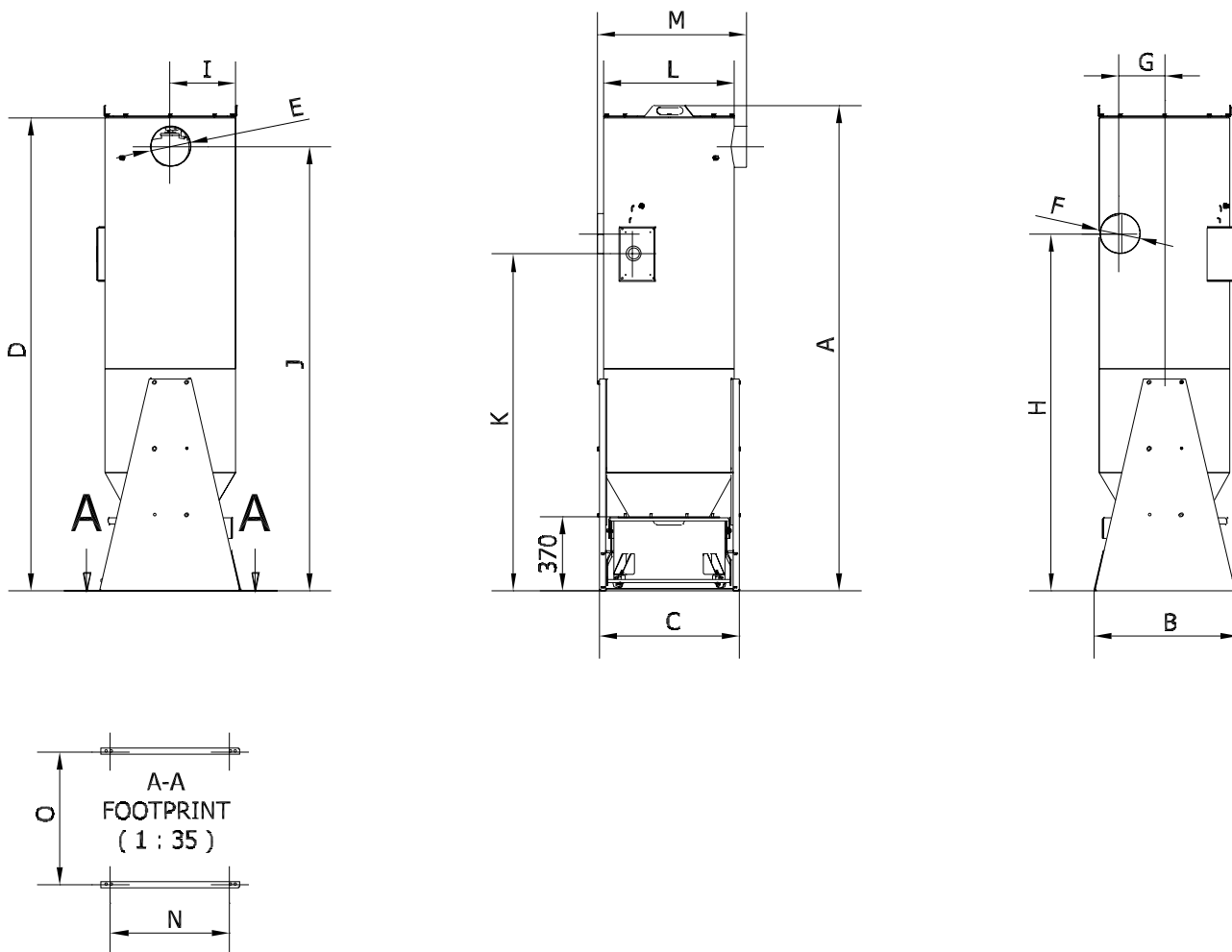
<sup>4)</sup> Please, note that unit height is increased by 330mm.



## CYCLONE FILTER

## TYPE CJF/CJF-V/CJF-HV

Cyclone filter type CJF 13 - 52:



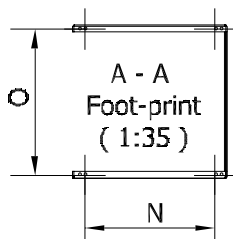
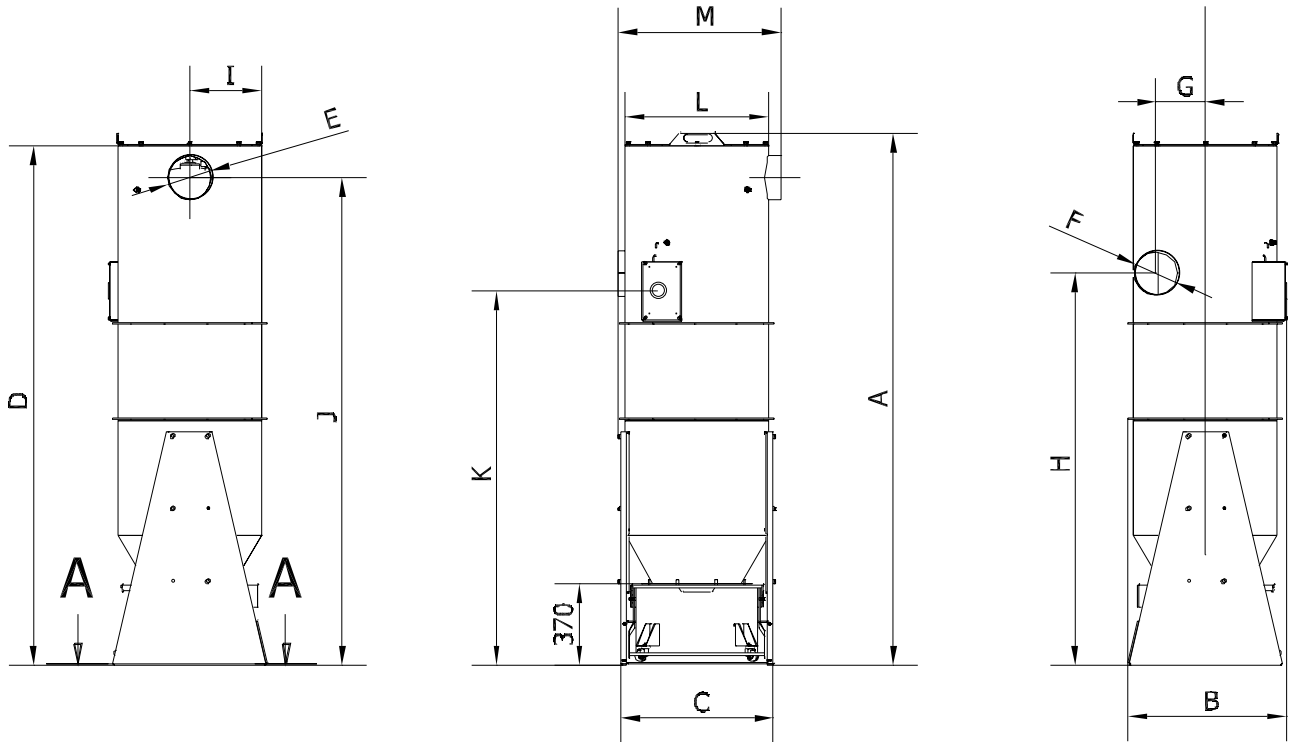
Type	Order no.	A	B	C	D	E	F	G	H	I	J	K	L	M	N	O
CJF 13	04 505 000	1757	718	696	1698	∅160	∅160	245	1118	325	1573	1018	∅650	731	592	662
CJF 26	04 506 000	2417	714	696	2358	∅200	∅200	226	1778	325	2213	1678	∅650	741	592	662
CJF 52	04 507 000	2678	1001	1006	2619	∅315	∅315	319	1983	475	2413	1939	∅950	1046	592	972



## CYCLONE FILTER

## TYPE CJF/CJF-V/CJF-HV

Cyclone filter type CJF-V 13 - 52:



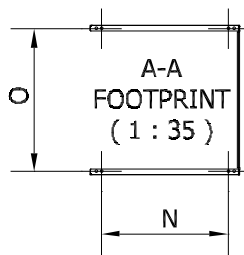
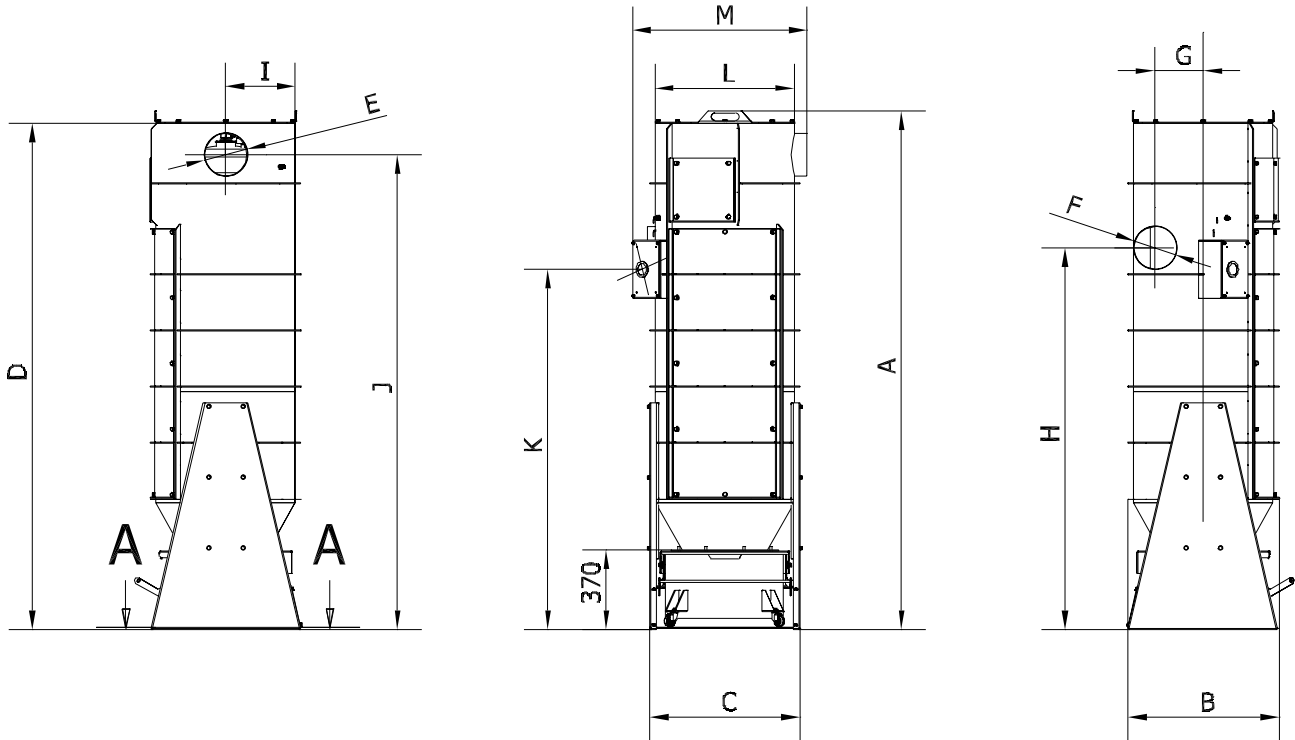
Type	Order no.	A	B	C	D	E	F	G	H	I	J	K	L	M	N	O
CJF-V 13	04 505 600	1757	732	698	1698	ø152	ø152	249	1118	325	1573	1265	ø650	731	592	662
CJF-V 26	04 506 600	2417	718	696	2358	ø203	ø203	225	1778	325	2213	1698	ø650	741	592	662
CJF-V 52	04 507 600	2678	1032	1010	2619	ø315	ø315	319	1984	475	2414	1939	ø950	1052	592	976



## CYCLONE FILTER

## TYPE CJF/CJF-V/CJF-HV

Cyclone filter type CJF-HV 13 - 52:



Type	Order no.	A	B	C	D	E	F	G	H	I	J	K	L	M	N	O
CJF-HV 13	04 505 700	1757	705	700	1698	ø152	ø152	249	1118	325	1573	1265	ø650	809	592	666
CJF-HV 26	04 506 700	2417	705	700	2356	ø203	ø203	225	1778	325	2213	1678	ø650	815	592	666
CJF-HV 52	04 507 700	2676	1009	1010	2619	ø315	ø315	319	1984	475	2414	1939	ø950	1081	592	976