

# LAJAC

## USERS MANUAL HOSE REEL – STANDARD AND XL Hose Ø32/38/50 mm

**STANDARD**



**XL**



# Index

---

- 2| Icons
- 3| Safety Instructions
- 3| Intended Use
- 4| Construction Hose Reel
- 5| Product Description
- 6| Technical Data
- 7| Warning
- 8| Installation Instructions
- 10| Connection to Pipe System and Grounding
- 11| Maintenance and Service
- 11| Troubleshooting
- 12| Spring Tension
- 13| Hose Change
- 14| Parts List
- 15| EC Declaration of Conformity

# Icons

---



## Warning!

This sign refers to important and relevant information. Be careful when you see this sign and pay attention to the situation. **Safety measures accompanied by this icon indicate a risk of injury.**



## Important!

This sign refers to important and relevant information. Be careful when you see this sign and pay attention to the situation. **Security measures accompanied by this icon indicate a risk of property damage.**



## Read carefully

Read this manual before using the product for the first time. It contains useful information about its installation, its features and its maintenance.



## Maintenance

This icon means that the following instructions are relevant for maintenance.



## Disconnect the suction source

When this icon is displayed, the product must be switched off and the power supply disconnected from the electrical outlet.



## Visual inspection

Be careful and check carefully at the machine part specified in the instructions.



## Grounding

Before using the hose reel, grounding should be carried out as instructed in the manual.

# Safety Instructions

---



Prior to installation, use, operation and supervision and service, all personnel concerned must have read and understood the contents of this manual carefully.

The instructions must be followed carefully and stored in the place where the hose reel is used.

Installation, use, service and maintenance must only be carried out by trained and qualified personnel.

Vacitup reserves the right to make changes to the design and manual without prior notice.

***This product is designed to meet the requirements of relevant EC directives. In order to maintain this and ensure that the hose reel warranty is valid, all instructions in this manual must be followed. The warranty is not valid if the hose reel design changes. Damaged product must not be put into service.***

## Intended Use

---

The hose reel is intended for indoor general cleaning.

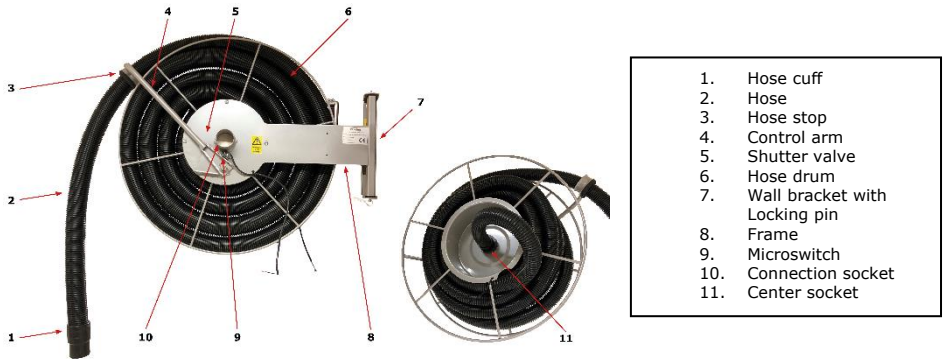
The capacity varies depending on the suction source. See technical data for more information about each model.

Air curves for calculating the required suction source are available.



The hose reel is not intended for suction of water and other liquids, explosive or flammable gases and materials. The hose is not oil resistant.

# Construction of the Hose Reel



1. The hose socket is adapted to fit the cleaning pipe and various nozzles. Depending on the model, the inside diameter of the hose socket is  $\varnothing 38$  or 50 mm. The hose socket is made of electrically conductive plastic.
2. The hose is of EVA type, made of plastic with additive to make it electrically conductive. The hose is designed for use in combination with the hose reel.
3. The hose stop can be moved on the hose to change the length of the part of the hose hanging from the reel. To move the hose, turn it so that the smooth side comes towards the hose. The hose stop can then be pushed to the desired position. To lock the hose stop, it is turned back so that the nubs lock against the hose.
4. The control arm opens and closes the shutter valve built into the hose reel. The hose stop controls the arm.
5. The shutter valve opens and closes the suction line, which means it is only suction in the hose when the hose reel is in use.
6. In addition to the hose drum storing the hose, it is also equipped with a latch that engages each turn. Therefore, the hose stays in the desired position when it is pulled out. To release the latch, pull the hose so the drum rotates about half a lap. Then the hose can be rolled up on the drum.
7. The wall bracket has two mounting holes for mounting the hose reel on the wall or ceiling. The holes have a diameter of 10.5 mm and the distance between the holes is 240 mm. The wall bracket also has a pin which is used to mount the hose reel on the wall bracket. The pin also makes the hose reel rotatable, which means that when mounted on a wall it can swing horizontally  $165^\circ$ .
8. The hose reel frame contains the shutter valve, which regulates the suction, and the spring, which allows the hose to roll up. The power of the spring is adapted to be able to roll up the hose on the specific model. This means that the spring is not adapted to withstand any cleaning pipes, nozzles or other tools still connected in the hose cuff. Changing the hose or using a longer hose also affects the function. There is also a sign on the frame indicating the hose reel's production number. Before using the hose reel, grounding should be done according to the instruction on page 10.
9. The hose reel is also equipped with a microswitch, which can be used for automatic start/stop of the suction source. The microswitch is approved for a maximum of 230V, 0.5 A, provided connection is made in an approved manner. However, it is recommended to use only low voltage max. 24 V.
10. Connection socket for connecting the hose reel to the pipe system. The socket has a diameter of 50 mm on all models. Preferably, a flexible hose is used for the connection, so that the hose reel retains its mobility. Be sure to ground the hose reel correctly.
11. The center socket is  $\varnothing 50$  mm on all models and hose is fitted with a hose connection/transition piece.

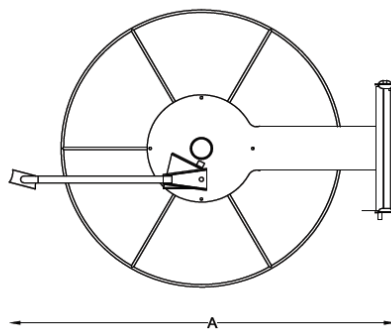
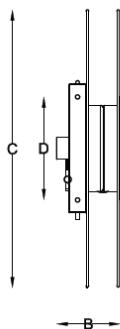
# Product Description

---

<b>Product name</b>	Hose reel	
<b>Model</b>	Up `n Away Standard and XL	
<b>Description</b>	The hose reel consists of frame with bracket, hose drum, spring, hose and microswitch. The hose reel is mainly made of iron, lacquered with powder coating. The hose is of the EVA type and is made of a mixture of elastomers. The hose is electrically conductive.	
<b>Environment</b>	In design, great emphasis has been placed on the choice of materials and production method. The hose reel is 99% recyclable. The exception is the microswitch. In the paint, no solvents are used, either for washing or color mixing.	
<b>Material</b>	Frame with bracket	Iron, quality SIS 1312
	Hose drum	Iron, quality SIS 1312
	Hose	Ethyl vinyl acetate with the addition of carbon black.
	Bearing rings	Acetal.
	Connection socket	Polyethylene with the addition of carbon black.
	Hose socket	Rubber with the addition of carbon black.
	Hose Top	Rubber.
	Microswitch	Plastic and copper
	Color	Polyester powder, TGIC-free
<b>Producer</b>	<b>Vacitup AB</b> Smedvägen 24 SE-443 61 Stenkullen Sweden Tel: +46 (0)31 44 32 00 Email: info@vacitup.se www.vacitup.se	

# Technical Data

Model	Mount	Art.no	Size A/B/C/D (mm)	Weight (kg)	Hose Ø (mm)	Hose length (m)	Connection Ø (mm)
Up 'n away 32	Wall	383210	890/165/650/240	12	32	10	50
Up 'n away 32	Ceiling	383220	890/165/650/240	12	32	10	50
Up 'n away 38	Wall	383810	890/165/650/240	12	38	8,5	50
Up 'n away 38	Ceiling	383820	890/165/650/240	12	38	8,5	50
Up 'n away 50	Wall	385010	890/165/650/240	14	50	7,3	50
Up 'n away 50	Ceiling	385020	890/165/650/240	14	50	7,3	50
Up 'n away 38 XL	Wall	385035	940/250/650/240	20	38	12	50
Up 'n away 38 XL	Ceiling	385045	940/250/650/240	20	38	12	50
Up 'n away 50 XL	Wall	385030	940/250/650/240	20	50	10	50
Up 'n away 50 XL	Ceiling	385040	940/250/650/240	20	50	10	50



## Up 'n Away STANDARD

Art.nr: 383210, 383220, 383810, 383820, 385010, 385020

## Up 'n Away XL

Art.nr: 385035, 385045, 385030, 385040



# Warning

---



1. When servicing and repairing the hose reel, the connected suction source must be stopped.



2. The hose reel design must not be changed as this can affect the function.



3. Under no circumstances may the hose reel be used to absorb burning, glowing, explosive or flammable liquids or materials.



4. Regularly inspect the hose reel for damage and wear on the reel and hose itself. If damage and/or wear are present, these must be repaired before using the hose reel.
5. Make sure not to have direct contact with the hose reel when the hose is rolled in or out, as there is a risk of crushing.



6. Always hold the hose firmly while rolling the hose in or out. If the hose is released upon rolling in, the hose can cause damage to person and property.



7. NOTE! The hose reel contains a very strong spring. Trying to disassemble the spring is a danger to life.
8. Note that service and repair may only be performed by qualified and trained personnel.



9. After installing the hose reel, make an extra check of the attachment to ensure it is strong enough to prevent the hose reel from falling.



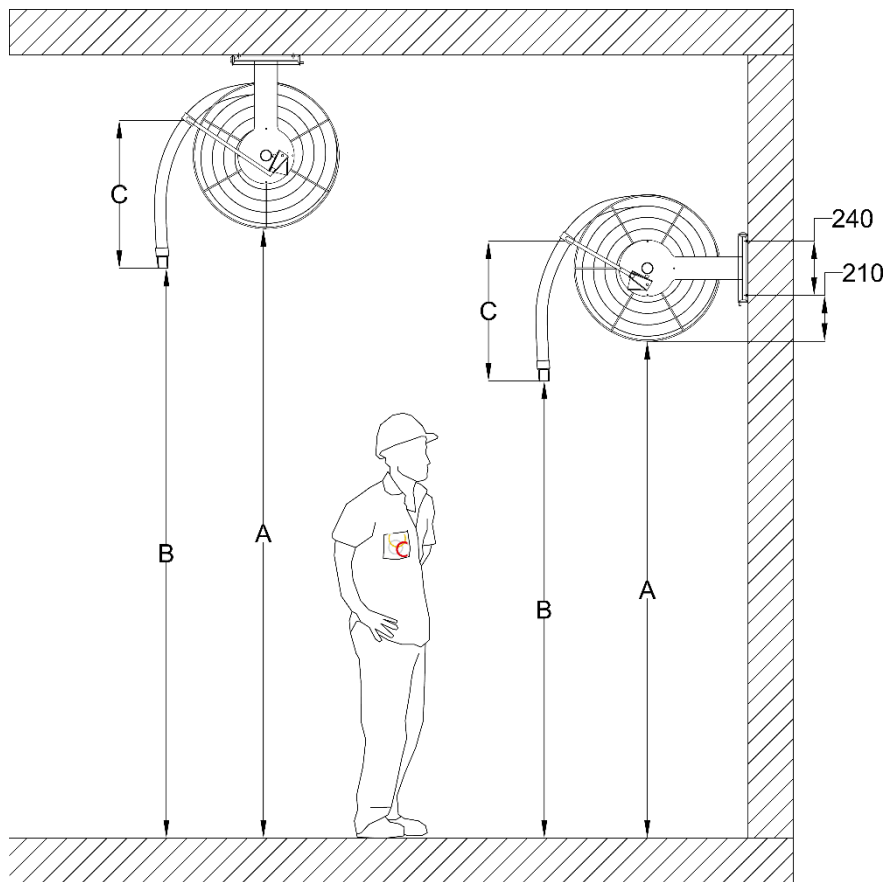
# Installation Instruction

---



1. The hose reel must be installed in such a way that it cannot cause injury to any person or property.
2. The hose reel must be installed in such a way that it cannot be damaged by other machines or vehicles.
3. The minimum minimum height for the hose reel over floor is 2 m to the bottom of the hose drum.
4. The highest floor height is shown in the table. The maximum height also depends on the selected model.
5. Check that the selected location, wall or ceiling, is flat and can withstand the load of the hose reel.
6. Ensure that there is sufficient space around the hose reel so that the hose reel function is not affected.
7. Use the correct attachment method for the hose reel on the wall or ceiling, depending on the substrate.
8. After attaching the hose reel to the wall mount using the hinge pin, do not forget to secure the hinge pin using the attached spring pin.
9. Connection to the pipe system is made with flexible hose. The connection diameter of the hose reel is 50 mm on all models. Use such hose length that the hose reel movement is not affected. Ground the hose reel to the pipe system, either through the connection hose or separate ground cable.

# Installation Instruction



Model	A min (cm)	B min/max (cm)	C max (cm)	Hole diameter bracket (mm)
Up 'n away Standard	250	170/190	150	10,5
Up 'n away XL	250	170/190	250	10,5

# Connection to Pipe System and Grounding



1. The hose reel should be connected to the fixed pipe system with a flexible connection hose with steel wire (Fig. 1). Each time new equipment is connected to the hose, the conduction capacity between the reel and the equipment should be measured. The electrical resistance should be less than  $1M\Omega$  (Fig. 3).

The connection diameter of the hose reel is 50 mm on all models. Use such hose length that the hose reel movement is not affected.



2. Ground the hose reel from the marked hole on the body (Fig. 2) to the ground rail for proper potential equalization. Recommended earth cable 4 mm<sup>2</sup>, bolt and contact washer M6 AZ FZB.

Fig. 1



Fig. 3

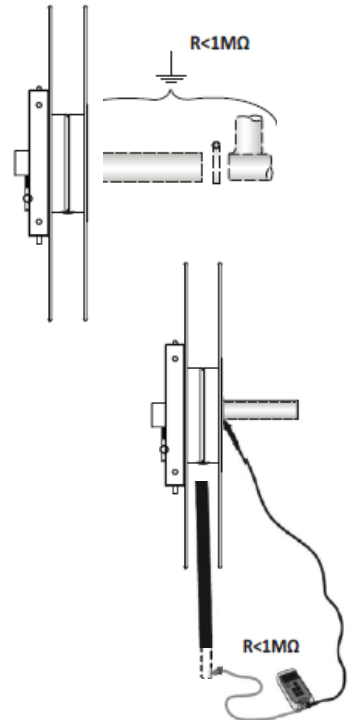


Fig. 2



# Maintenance and Service



1. When servicing and repairing the hose reel, the connected suction source must be stopped.



2. Regularly check that the hose reel attachment to the wall or ceiling is sturdy and shows no signs of loosening.
3. Perform a visual inspection of the hose reel for damage and possible wear. Check that the hose is intact, firmly attached to the connections and runs easily through the control arm.



4. Perform a function check of the damper by moving the control arm back and forth. Remember that both the control arm and the damper should go easily. Loosen the connection hose and visually check that the damper opens and closes during movement of the control arm. NOTE! Under no circumstances should fingers or objects be inserted into the hose reel connection sockets. Then reinstall the connection hose.
5. Perform a functional check of the microswitch. Listen to the microswitch clicking as the control arm is moved down.



6. If there is damage to the hose reel that may affect the operation of the hose reel, the damage must be repaired before using the hose reel.
7. Ensure that there is no explosive atmosphere or dust layer when cleaning, servicing or inspecting the hose reel.
8. During operation, the hose reel should not be covered with thick dust layers (> 4 mm).
9. Regularly check the grounding as shown in Fig. 3 on page. 10.

# Troubleshooting



1. If the suction deteriorates or ceases, it may be due to objects being trapped in the hose. Especially when bending the hose at the center socket, long objects may get stuck. By removing the hose at the center socket, the object can be removed.
2. If the suction force is still poor, pull out the entire length of the hose and connect the outer hose end to the center socket so that the suction direction is reversed.
3. If the hose gets stuck, make sure it is not suck in the control arm.
4. When replacing hose use only original hose of correct length. Longer hanging hose than recommended and/or suction tools that are connected to the hanging hose, can cause the control arm to fold down and the system to activate unintentionally (see page 8-9).

# Spring Tension

---



The reel force of the hose reel is evenly distributed over the entire hose length, which means the hose can easily be pulled out over its entire length, as well as to roll up the hose.

If the retraction force is too weak, the spring can be tensioned.

Proceed as follows:




1. Pull out about two meters of hose and set the hose reel in locking position.
2. Pull the hose back between the hose drum and the control arm.
3. Apply the hose to the hose drum.

To increase the spring tension further, steps 1-3 can be repeated.

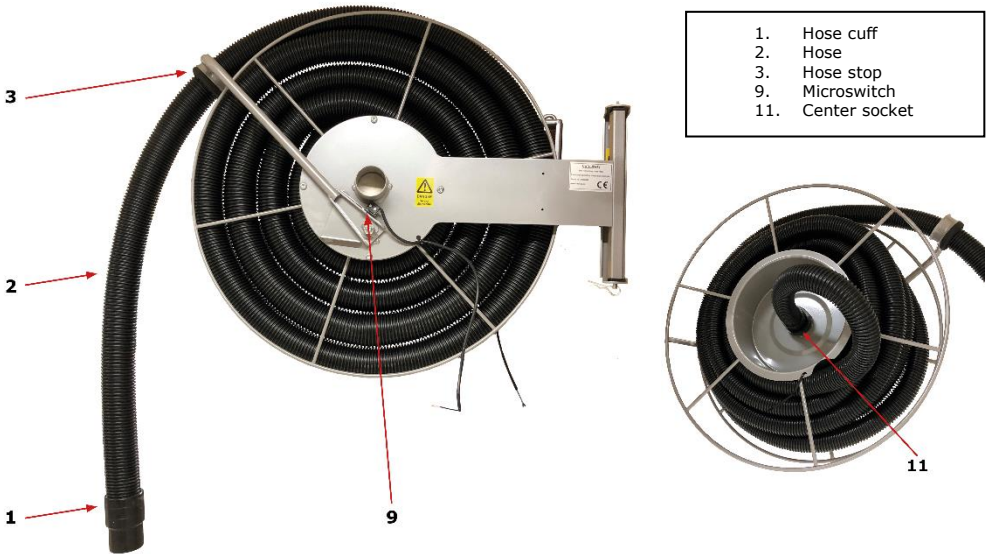


**NOTE!** If the spring is tensioned too many turns, it can reach its end position and it is not possible to pull out the entire length of the hose. There is also a risk that the spring will go off.

# Hose Change

	<ol style="list-style-type: none"><li>1. Turn off the suction source.</li></ol>
 	<ol style="list-style-type: none"><li>2. Pull out the hose to its full length. Make sure the hose stays in the locked position.</li><li>3. Secure the hose drum to the hose reel frame using a cable tie or the like, so that the hose drum does not risk re-springing during hose replacement.</li><li>4. Cut the cable tie securing the hose to the hose drum.</li><li>5. Release the hose in the center of the hose drum and let it to run out of the control arm.</li><li>6. Pass the new hose through the control arm and out through the hose drum in an even bend toward the center of the hose drum. Then connect the hose on the center socket.</li><li>7. Attach the hose to the hose drum with a cable tie.</li><li>8. Thread the hose stop at the outside of the hose. Also mount the hose socket on the end.</li><li>9. Remove the temporary cable tie from the hose drum against the hose reel frame.</li><li>10. Pull the hose so that the latch releases and let the new hose to roll up on the hose drum. Remember to hold the hose at all times and let it slide through your hands.</li><li>11. When changing a hose equipped with bending guard, make sure to move it over to the new hose.</li></ol>

# Parts List



Model	Hose cuff	Hose	Hose stop	Microswitch	Center socket
Up `n away 32	126032	125232	129032	145101	120132
Up `n away 38	126038	125238	129038	145101	120138
Up `n away 50	126050	125251	129050	145101	120150

# EC Declaration of Conformity

---

## Declaration of incorporation of partly completed machinery

**Manufacturer:** Vacitup AB  
Smedvägen 24  
SE-443 61 Stenkullen

hereby declare that:

**Product:** Hose reel Standard and XL

**Type:** Up 'n Away 32 W (383210)  
Up 'n Away 32 C (383220)  
Up 'n Away 38 W (383810)  
Up 'n Away 38 C (383820)  
Up 'n Away 50 W (385010)  
Up 'n Away 50 C (385020)  
Up 'n Away XL 38 W (385035)  
Up 'n Away XL 38 C (385045)  
Up 'n Away XL 50 W (385030)  
Up 'n Away XL 50 C (385040)



complies with the applicable provisions of the following directives and standards:

Machinery Directive 2006/42/EG

EN ISO 12100:2010

EN ISO 13857:2019

Partly completed machinery may not be put into operation until the machine in which it is to be included as part has been declared to be in conformity with the Machinery Directive 2006/42/EC.

Stenkullen, 1 april 2020

A handwritten signature in blue ink, appearing to read 'Almir Karahodzic', is written over a light blue horizontal line.

Almir Karahodzic  
MD, Vacitup AB